

## PTO for HINO 300 vehicle

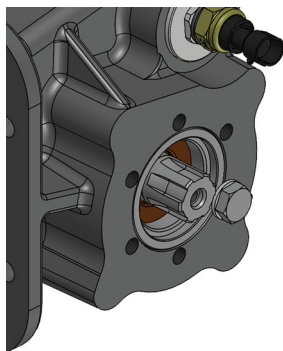
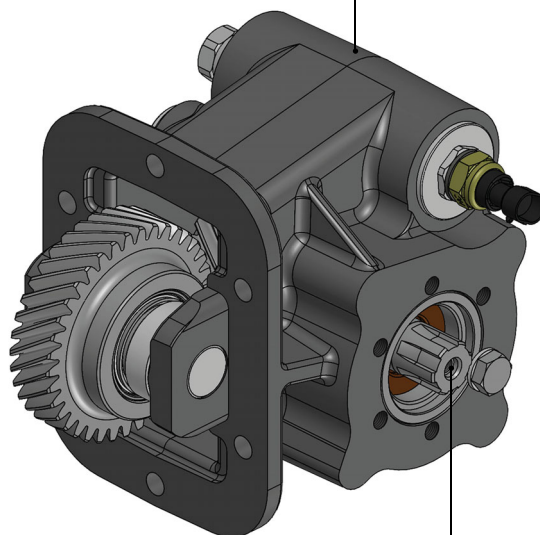
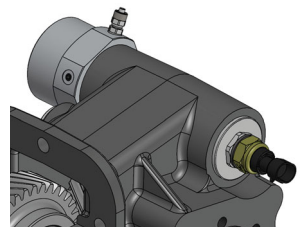
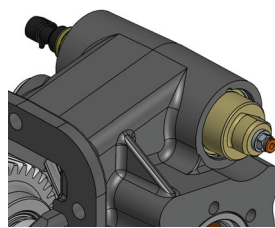
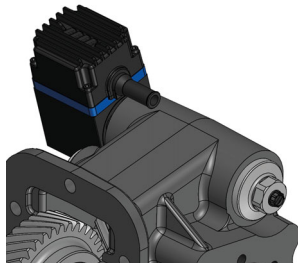
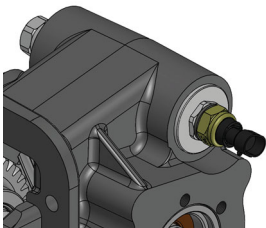
We are pleased to inform you that a new series of more versatile and performing PTOs are now available for HINO RE50 and RE61 transmissions. Previous models will be superseded once they run out stock.

Mechanical clutch

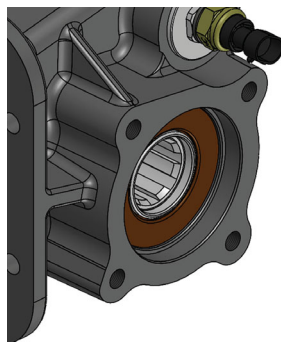
Electromagnetic clutch

Pneumatic clutch

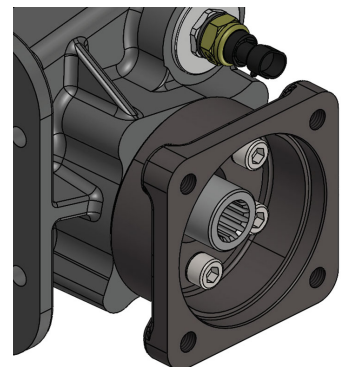
Vacuum clutch



UNI version output



ISO version output



SAE-B version output

For any information you may need, please contact export department.

HINO RE 50 gearbox technical features	Clutch type	Code	Version	Pto ratio@1000 eng.rpm	Max torque	Mounting side	Output	Rotation	Mounting kit
				rpm	Nm				
HINO RE 50 gearbox technical features	Mechanical	06903110131	UNI	836	250	Left	Rear	Cw	15400303731
	Electromagnetic	06953110136							
	Pneumatic	07003110138							
	Vacuum	07033110135							
	Mechanical	06903110177	ISO						
	Electromagnetic	06953110172							
	Pneumatic	07003110174							
	Vacuum	07033110171							
	Mechanical	06903110524	SAE-B						
	Electromagnetic	06953110529							
	Pneumatic	07003110521							
	Vacuum	07033110528							

HINO RE 61 gearbox technical features	Clutch type	Code	Version	Pto ratio@1000 eng.rpm	Max torque	Mounting side	Output	Rotation	Mounting kit
				rpm	Nm				
HINO RE 61 gearbox technical features	Mechanical	06903010132	UNI	742	250	Left	Rear	Cw	15400303731
	Electromagnetic	06953010137							
	Pneumatic	07003010139							
	Vacuum	07033010136							
	Mechanical	06903010178	ISO						
	Electromagnetic	06953010173							
	Pneumatic	07003010175							
	Vacuum	07033010172							
	Mechanical	06903010525	SAE-B						
	Electromagnetic	06953010520							
	Pneumatic	07003010522							
	Vacuum	07033010529							

**Working conditions**

